



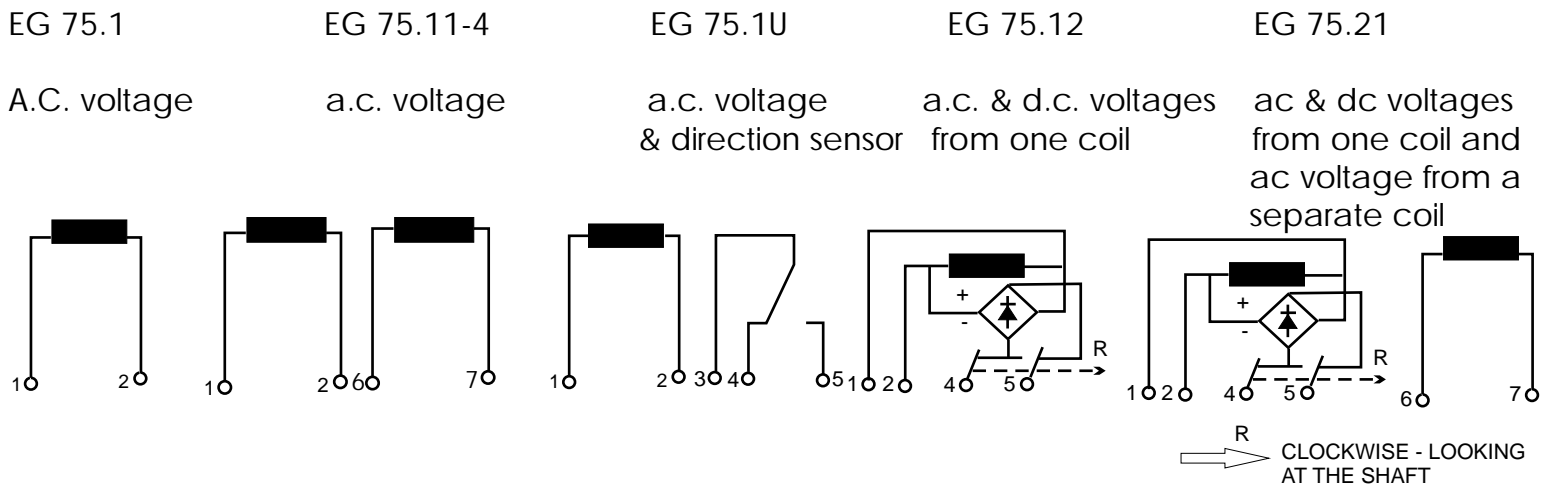
EG 75... tacho-generators are available in a variety of types for many applications and in particular are suitable for marine use. The five types of the Eg75... range provide an a.c. output only or two a.c. outputs in quadrature; and a.c. output plus a rectified d.c. output with pole change relay for bi-directional speed indication; two a.c. outputs in quadrature plus a rectified d.c. output with pole change relay for bi-directional speed indication.

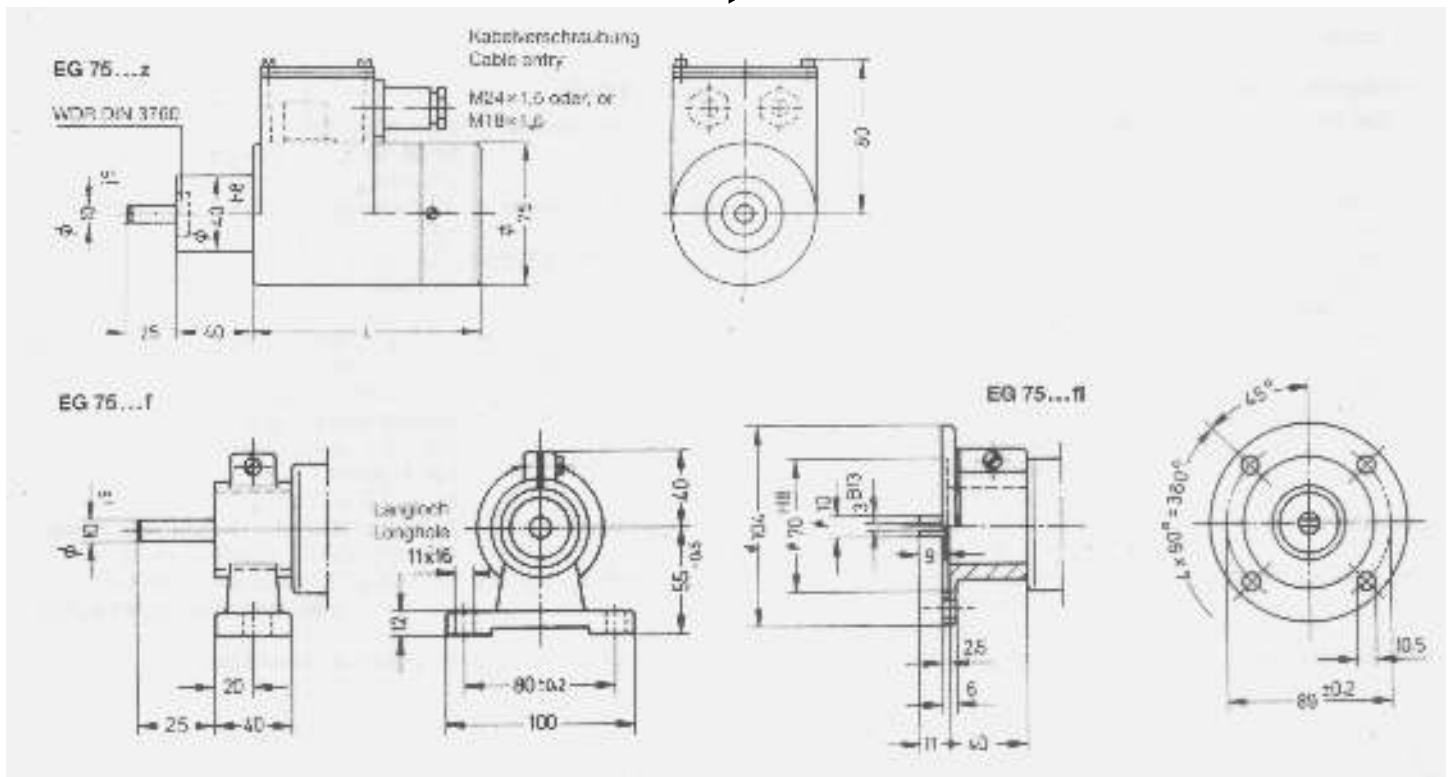
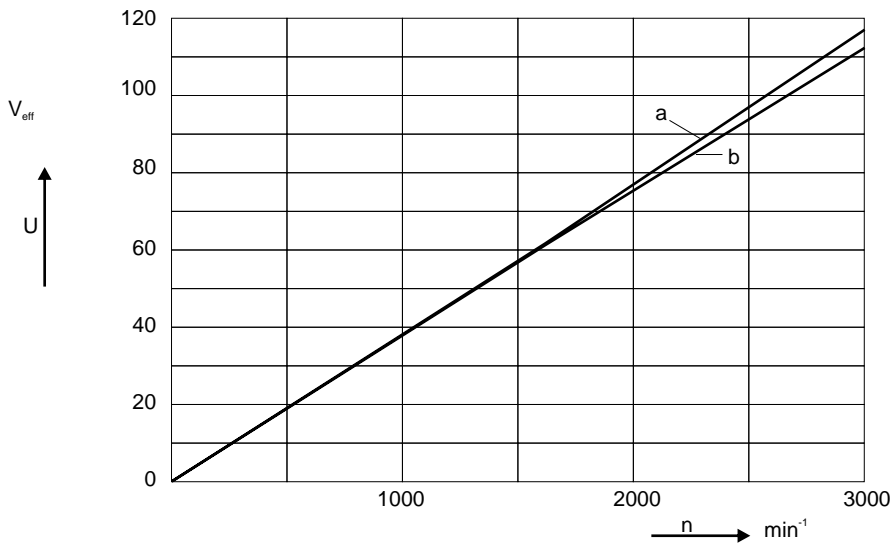
A speed limit switch can be connected to an electrically isolated coil of the tacho-generator.

## Technical Data

|                         |  |
|-------------------------|--|
| Speed of driving shaft  | max. 5000 rpm<br>(max. 3000 rpm with pole changing)  |
| Voltage per 1000 rpm    | 40 V a.c. approx. 35.5V d.c. (rectified)   |
| Number of poles         | 16   |
| Frequency per 1000 rpm  | 133 1/3 Hz   |
| Winding Resistance      | 18 Ohms  |
| Balancing tolerance     | < ± 1 %  |
| Testing voltage         | 2000 V against casing  |
| Temperature range       | -20 ... +80 °C   |
| Enclosure               | IP 65 (DIN 40050)  |
| Electrical connection   | Socket terminal strip to VDE 380V a.c.,<br>up to 4 mm <sup>2</sup> Cable gland<br>M24X1,5 or M18X1,5 |
| Starting torque         | 430 cmp (EG 75.1, EG75.1u, EG 75.12)<br>450 cmp (EG 75.21, EG 75.11-4)                               |
| Max. switching capacity | EG 75.1 u: 10Wd.c. and 10VA a.c.<br>max switching current 0.25A                                      |
| Design class approval   | (GL) Germanischer Lloyd  |

## Diagrams - Functions & Connections





| Type         | Length<br>mm | weight<br>kg | weight<br>kg | weight<br>kg |
|--------------|--------------|--------------|--------------|--------------|
| EG 75.11-4.M | 97           | 2.0          | 2.2          | 2,2          |
| EG 75.21.M   | 130          | 2.4          | 2.6          | 2,6          |
| EG 75.1.M    | 97           | 1.7          | 1.9          | 1,9          |
| EG 75.1u.M   | 97           | 1.7          | 1.9          | 1,9          |
| EG 75.12.M   | 97           | 1.7          | 1.9          | 1,9          |

Bestellbezeichnung: EG 75.1 (18/16)  
 Order designation: EG 75.11-4 (2 x 18/16)  
 EG 75.1u (18/16)  
 EG 75.12 (18/16)  
 EG 75.21 (2 x 18/16)

Dr. E. Horn reserves the right  
 to change the specifications without notice