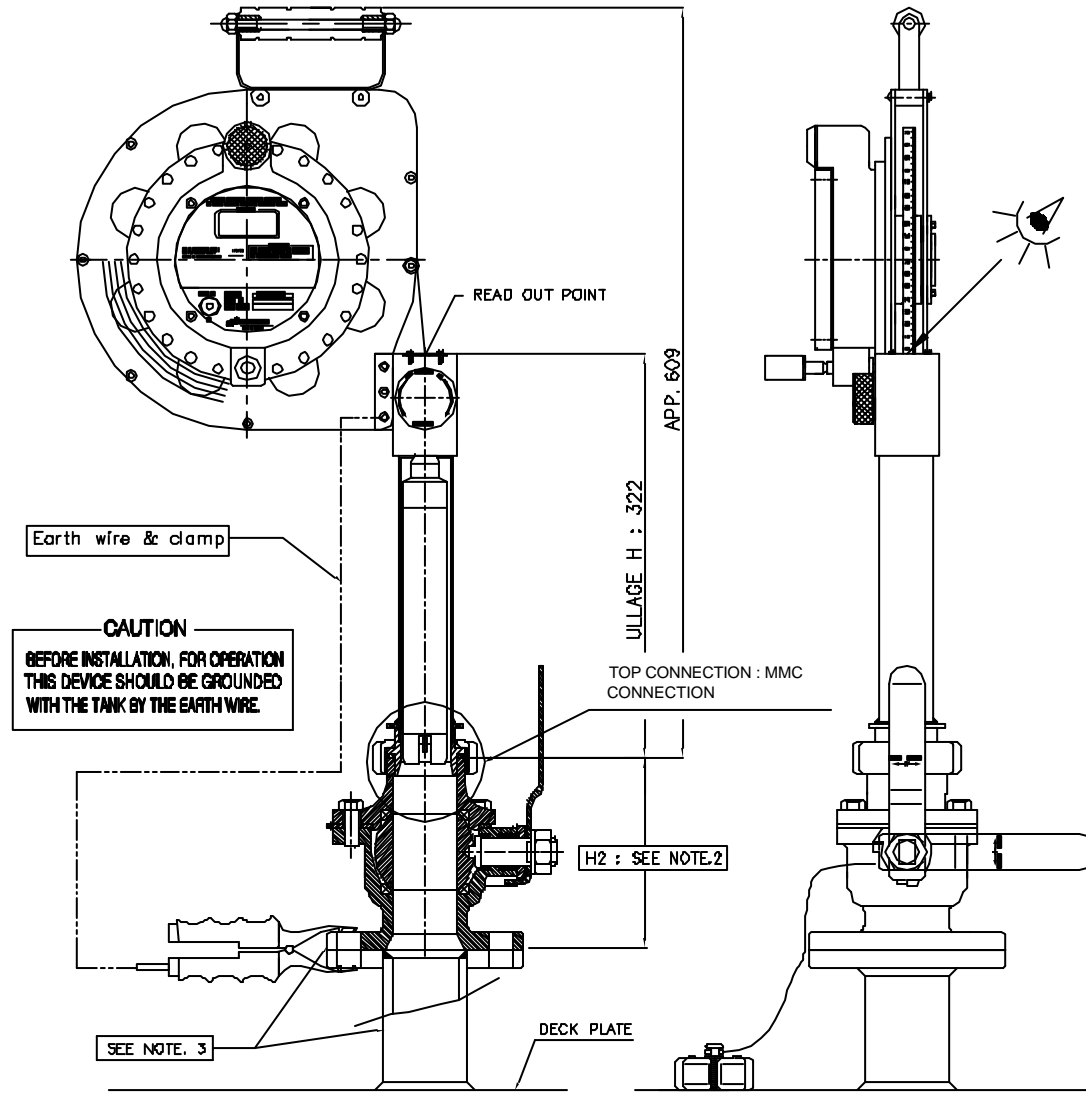


Example installation for shut on/off valve model : C-50 / F-50



NOTE.1

1. RESTRICTED TYPE
PORTABLE OIL/WATER INTERFACE DETECTOR
FOR ULLAGE, OIL/WATER INTERFACE & TEMPERATURE GAUGING
MODEL : T2000-TFS-01

NOTE.2

1. FIELD CONNECTION FLANGE STANDARD WITH DIMENSION TABLE.

MODEL : C-50, HEIGHT : 178mm
FLANGE CONN : JIS 5K F.F 50A OR 80A SLP-ON FLANGE

2. FLANGE SURFACE

√ SMOOTH FINISH
— 150 - 250 AARH SPIRAL SERRATION

DIMENSION (UNIT : mm)

MODEL	I.D	H1	H2	Remark
C-50	50		178	

NOTE.3

1. DECK FLANGE, PIPE, BOLT/NUT, GASKET FOR DECK MOUNTING PART TO BE SUPPLY BY CUSTOMER WITH SHIPYARD.
2. DIMENSION HEIGHT IS WITHOUT GASKET.
3. ALL EDGE, PIPE INSIDE TO BE ROUNDED BY GRINDER.
REF. ROUND : R4
REF. CHAMFER : C4
4. ALL WELDS TO BE $\frac{4}{4}$ TYP.
5. TO BE MACHINE AFTER WELDING.

Schematic Drawing of T2000-TFS-01

Client : TIJIT PTE LTD		Model : T2000-TFS-01	B.O.N No. :
Project : JOB NO. 05-151		Title : Portable Oil/Water Interface Detector	
(Proj. No.) M/V KITA 1			
General Tolerances : See Ref. Window 1.	View: 	Scale: N/S	 A3 Doc. Size
Designed Date: 03.05.28 Name: Y.S.KIMM	Drawn Date: 03.08.08 Name: J.Q.LEE	Revision: 	
Modify			
Approved			
Drawing No.: TFS-01-NA-01-MMC		Page No.:	