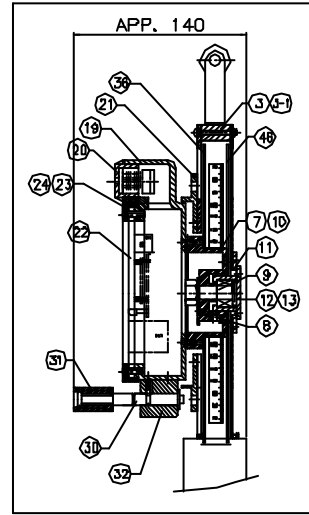
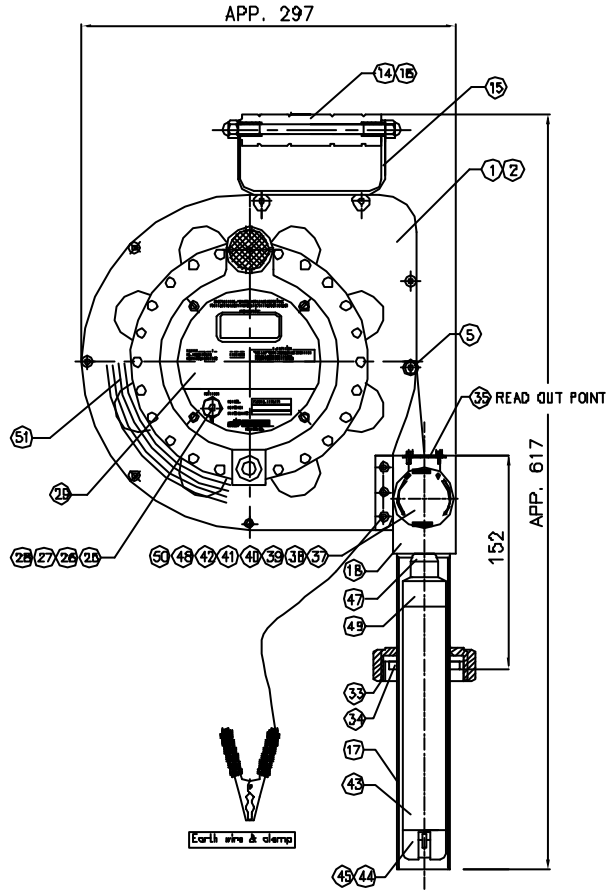


# Restricted Type Portable Oil/Water Interface Detector Model : T2000-TFS-01



SECTION VIEW OF MECHANICAL PART FOR (TAPE REEL)

Part	Description	Dim./Model no./Noms./Std.	Part./P/c. No	Material	Q'ty	Vald	Part	Description	Dim./Model no./Noms./Std.	Part./P/c. No	Material	Q'ty	Vald
52-2	Tape Seal Washer 2	#20x2t		SUS316L	1	-	39	Cleaning Adaptor	#44x21.0L		SUS316	1	-
52-1	Tape Seal Washer 1	#22x2t		SUS316L	1	-	38	Ball	#3		SUS304	1	-
52	Tape Seal Washer	#22x2t		SUS316L	1	-	37	Spring Coil	#3x3L		SUS304	1	-
51	Tape	15M/50M/40M		-	1	-	36	On/locked Tape Plate	#240x870x1.5t		AL+NYLON	1	-
50	Viper	#10x32L/20L		VITON	1/1	-	35	Scale Indicate	#30x3x2t		PTFE	1	-
49-3	Set Screw	M3x4L		SUS304	2	-	34	RNG	#68.5x6T		SUS316	1	-
49-2	O-Ring	P28x3x5		VITON	2	-	33	2" Dialer	#82x26L		30318A	1	-
49-1	Sensor Unit Body Nut	#34x18L		SUS316	1	-	32	Handle Holder	30x24x24L		AL6061	1	-
48	Sensor Unit Body	#34x30L		SUS316	1	-	31	Handle Roller	#20x30L		MC NYLON	1	-
48-1	Wrench Bolt	M3x12L		SUS304	4	-	30-2	Wrench Bolt/P.V	M4x8L		SUS304	1	-
48	Window Adaptor	#44x37L		SUS316	1	-	30-1	P.Washer	M6		SUS304	1	-

47-1	Tape Seal Holder	#22.4x7L		VITON	1	-	10	Screw	M3x10L		SUS304	4	-
47	Flexible Shock Absorb	#23x10L		VITON	1	-	9	On/locked Tape Plate	#240x870x1.5t		AL+NYLON	1	-
46	Sensor Probe	#34x34L		PEEK	1	-	8	Shaft	#10xø15x40.0L		SUS316	1	-
44	Conduction Bar	#2.6x29L		SUS316L	1	-	8-2	Ball Coll	N4		SUS304	2	-
43	Probe Barrel	#34x180L		SUS316L	1	-	8-1	Wrench Bolt/S.W	M3x8L		BU9304	2	-
42	Bracket	#42xø28x1t		VITON	2	-	8	Tape Stopper	#24xø32x20L		BU9316	1	-
41-3	Set Screw	M3x8L		SUS304	2	-	7-1	Ball Coll	M1/M3		BU9304	4/10	-
41-2	Set Screw	M4x8L		SUS304	2	-	7	Tape Holder	#80x32L		AL6061	1	-
41-1	O-Ring	P16		VITON	1	-	6	Wrench Bolt/S.W	M4x8L		SUS304	1	-
41	Cleaning On/DH Cap	#48x20L		SUS316	1	-	6	Tape Protect Plate	348x17x0.5t		SUS316	1	-
40	Cleaner Cap Engraving	#40x20L		SUS316	1	-	5	Tape Roller Guide	#12x21L		SUS316	1	-
39-1	Wrench Bolt	M3x10L		SUS304	4	-	4	Housing Guide	#8x23L		AL6061	8	-

30	Handle Shaft	#14x83L		SUS316	1	-	10	Bracket	#84xø80x30L		VITON	1	-
29	Display Plate	#136x1t		AL	1	-	9-2	O-Ring	P10		VITON	1	-
28-1	O-Ring	P12		VITON	1	-	9-1	Lock Nut/P.V	M10		SUS304	1	-
28	Switch Holder	#20x21L		BU9316	1	-	8	Shaft	#10xø15x40.0L		SUS316	1	-
27	Toggle Switch	13x33L		-	1	-	8-2	Ball Coll	N4		SUS304	2	-
26	Switch Front Cap	#18x18L		SUS316	1	-	8-1	Wrench Bolt/S.W	M3x8L		BU9304	2	-
25	Switch Cover(Water Seal)	#8x18x8L		VITON	1	-	8	Tape Stopper	#24xø32x20L		BU9316	1	-
24	Bracket	#136xø116x1t		VITON	1	-	7-1	Ball Coll	M1/M3		BU9304	4/10	-
23	Drum Cover	#144x12L		AL6061	1	-	7	Tape Holder	#80x32L		AL6061	1	-
22-1	P.Screw	M3x8L		SUS304	3	-	6	Wrench Bolt/S.W	M4x8L		SUS304	1	-
22	PCB Under Plate	#137x31		ACRIL	1	-	6	Tape Protect Plate	348x17x0.5t		SUS316	1	-
21-1	P.Screw/P.W/Lock Nut	M4x10L		SUS304	6	-	5	Tape Roller Guide	#12x21L		SUS316	1	-
21	Stopper Guide	#182xø78x131		MC NYLON	1	-	4	Housing Guide	#8x23L		AL6061	8	-
20-1	O-Ring	P22		VITON	1	-	3-1	P.Screw/P.W/Lock Nut	M4x30L		BU9304	11	-
20	Buzzer Cap	#34x18L		AL6061	1	-	3	Handle Guide Stopper	#14x23L		BU9316	2	-
19-2	P.Screw	M4x8L		SUS304	4	-	2	Air Housing	#270x287x3t		AL6061	1	-
19-1	Wrench Bolt/S.W	M4x10L		SUS304	8	-	1	Front Housing	#270x287x3t		AL6061	1	-
18	Drum	180x144x18L		AC4C-T6	1	-							
18-3	Wrench Bolt/S.W	M3x10L		SUS304	8	-							
18-2	Wrench Bolt/P.V	M3x8L		SUS304	4	-							
18-1	Ball Coll	N3		SUS304	12	-							
18	Storage Barrel Holder	46x80x80L		AL6061	1	-							
17	Storage Barrel	ø42.7x250L		BU9316	1	-							
16-1	Cap Nut/S.W	M8		SUS304	2	-							
16	Stud Bolt	N8x134L		SUS304	1	-							
15-1	Wrench Bolt/S.W	M3x8L		SUS304	4	-							
15	Handle Guide	118x80x21		SUS316	1	-							
14	Handle	ø25x14L		MC NYLON	1	-							
13	Gasket	#42xø22x0.8R		VITON	1	-							
12-1	P.Screw	M4x8L		BU9304	4	-							
12	Bearing Holder Cover	#42x7L		SUS316	1	-							
11-2	P.Screw/S.W/Lock Nut	M4x10L		SUS304	4	-							
11-1	Bearing	ø100ZL		SUS304	2	-							
11	Bearing Holder	ø85x49L		SUS316	1	-							
10	Bracket	#84xø80x30L		VITON	1	-							
9-2	O-Ring	P10		VITON	1	-							
9-1	Lock Nut/P.V	M10		SUS304	1	-							
8	Shaft	#10xø15x40.0L		SUS316	1	-							
8-2	Ball Coll	N4		SUS304	2	-							
8-1	Wrench Bolt/S.W	M3x8L		BU9304	2	-							
8	Tape Stopper	#24xø32x20L		BU9316	1	-							
7-1	Ball Coll	M1/M3		BU9304	4/10	-							
7	Tape Holder	#80x32L		AL6061	1	-							
6-1	Wrench Bolt/S.W	M4x8L		SUS304	1	-							
6	Tape Protect Plate	348x17x0.5t		SUS316	1	-							
5	Tape Roller Guide	#12x21L		SUS316	1	-							
4	Housing Guide	#8x23L		AL6061	8	-							
3-1	P.Screw/P.W/Lock Nut	M4x30L		BU9304	11	-							
3	Handle Guide Stopper	#14x23L		BU9316	2	-							
2	Air Housing	#270x287x3t		AL6061	1	-							
1	Front Housing	#270x287x3t		AL6061	1	-							

**General Assembly Drawing of T2000-TFS-01**

Client : \_\_\_\_\_ Model : T2000-TFS-01 B.O.M No. : \_\_\_\_\_  
 Project : \_\_\_\_\_ Title : Restricted Portable Oil/Water Interface Detector  
 For usage oil/water interface & temperature gauging

(Proj. No.) \_\_\_\_\_

General Tolerance :	View :	Scale :	Revision :
See Ref. Window 1.	Y.S.R.M	N/S	
Drawn :	Date :	Scale :	Revision :
J.D.LEE	04.03.17		
Check :	Date :	Scale :	Revision :
J.D.LEE	04.03.17		

**TANKTECH** A3  
Doc Size

Drawing No.: TFS-01-ZZ-00-S-R Page No.: